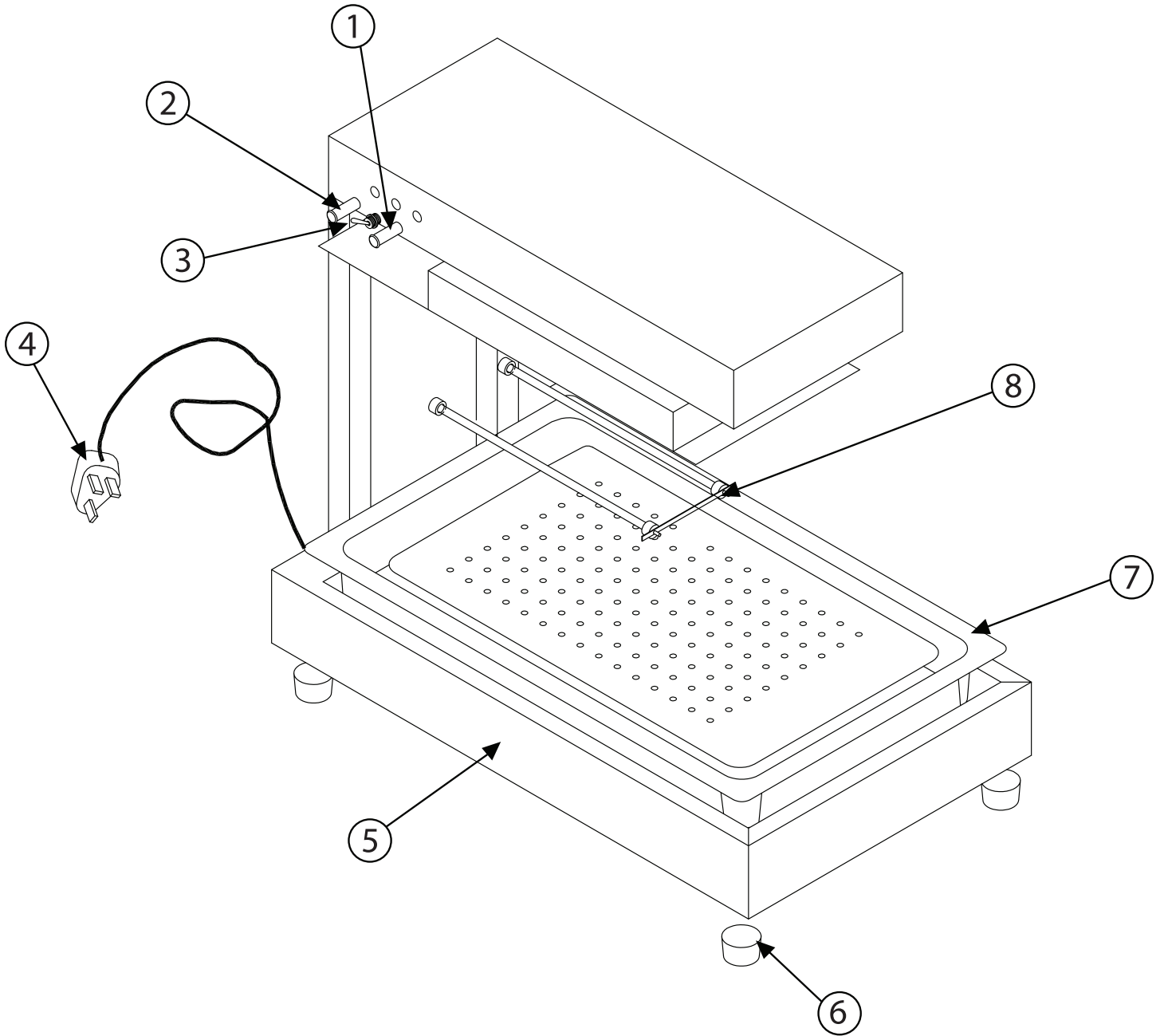


Parts Breakdown

Model FW-CN-0902 23574



Parts Breakdown

Model FW-CN-0902 23574

Item No.	Description	Position	Item No.	Description	Position	Item No.	Description	Position
35982	Indicator Light for 23574	1	35985	Plug and Lead for 23574	4	35988	Ceramic Pan for 23574	7
35983	Indicator Light for 23574	2	35986	Body for 23574	5	35989	Element for 23574	8
35984	Switch for 23574	3	35987	Foot for 23574	6			